

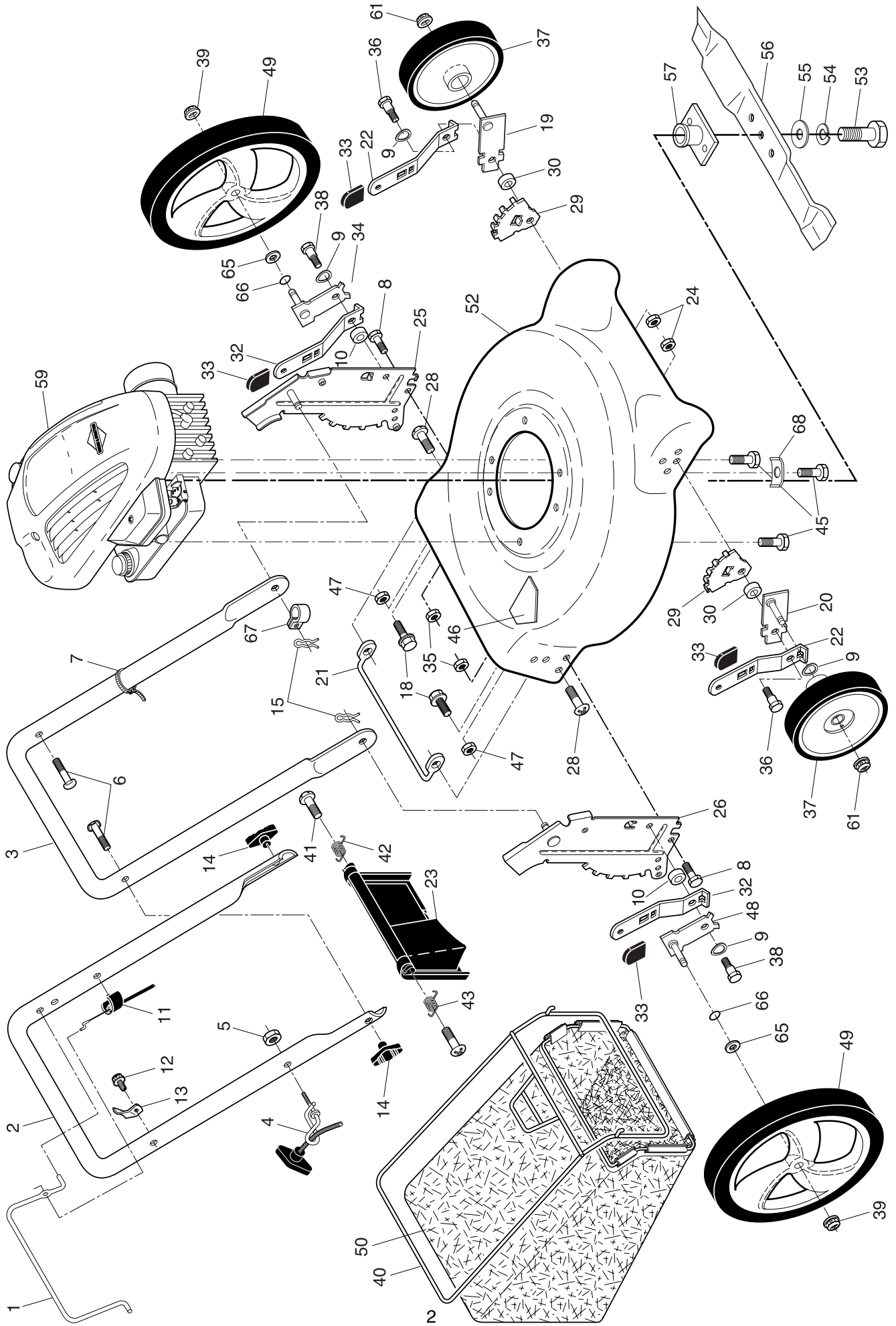
ILLUSTRATED PARTS LIST

MODEL NUMBER P4053CM

PRODUCT NUMBER 961 31 00-12

MFG. ID. NUMBER 96131001202

ROTARY LAWN MOWER -- MODEL NUMBER P4053CM (96131001202) PRODUCT NUMBER 961 31 00-12



ROTARY LAWN MOWER - - MODEL NUMBER P4053CM (96131001202) PRODUCT NUMBER 961 31 00-12

KEY NO.	PART NO.	DESCRIPTION	KEY NO.	PART NO.	DESCRIPTION
1	532 19 55-74	Control Bar	36	532 40 16-38	Shoulder Bolt 5/16-18
2	532 19 55-47	Upper Handle	37	532 40 31-14	Wheel & Tire Assembly, Front 8 x 1-3/4
3	532 17 42-91	Lower Handle	38	532 40 16-38	Shoulder Bolt
4	532 19 47-88	Rope Guide	39	532 40 19-49	Nut, Hex, Flangelock
5	532 13 20-04	Locknut, Hex 1/4-20	40	532 40 18-08	Frame, Grassbag
6	532 19 15-74	Handle Bolt	41	532 18 41-93	Bolt
7	532 06 64-26	Wire Tie	42	532 40 54-21	Spring, Rear Door, LH
8	874 78 05-12	Hex Bolt 5/16-18 x 3/4	43	532 40 54-23	Spring, Rear Door, RH
9	532 40 16-30	Nut	45	532 15 04-06	Hex Head Thread Rolling Screw 3/8-16 x 1
10	532 40 16-29	Spacer	46	532 18 21-66	Danger Decal
11	532 17 65-56	Engine Zone Control Cable	47	532 75 11-53	Nut, Hex
12	532 75 06-34	Hex Washer Head Screw #10-24 x 1/2	48	532 41 06-01	Axle Arm Assembly, Rear, RH
13	532 12 52-03	Up-Stop Bracket	49	532 40 29-35	Wheel & Tire Assembly, Rear 12 x 1-3/4
14	532 19 19-38	Handle Knob	50	532 40 20-24	Grassbag
15	532 05 17-93	Hairpin Cotter	52	532 40 95-57	Kit, Lawn Mower Housing Assembly (Includes Key Numbers 17, 18 and 46)
16	532 19 17-30	Nut, Hex, Flangelock 1/4-20	53	532 85 10-84	Hex Head Screw 3/8-24 x 1-3/8 Grade 8
18	817 60 04-06	Screw 1/4-20 x 3/8	54	532 85 02-63	Helical Lockwasher
19	532 40 66-89	Axle Arm Assembly, Front, LH	55	532 85 10-74	Hardened Washer
20	532 40 66-90	Axle Arm Assembly, Front, RH	56	532 19 93-77	21" Blade
21	532 16 94-23	Footguard	57	532 19 38-25	Blade Adapter
22	532 40 64-28	Selector Spring, Front	59	- - -	Engine, Briggs & Stratton, Model Number 10G902 (Order parts from engine manufacturer)
23	532 41 06-03	Rear Door	61	532 40 91-48	Nut, Hex, Flangelock
24	532 16 67-85	Locknut, Hex 5/16-18	65	532 08 83-48	Washer, Flat
25	532 41 05-96	Handle Bracket Assembly, LH	66	532 19 74-80	O-Ring
26	532 41 05-97	Handle Bracket Assembly, RH	67	532 19 79-91	Clip, Cable
28	532 05 45-83	Screw	68	532 12 50-78	Washer
29	532 41 05-94	Wheel Adjusting Bracket, Front	--	532 18 21-91	Warning Decal (not shown)
30	532 40 16-29	Spacer	--	532 40 08-48	Operator's Manual, European
32	532 41 05-95	Spring, Selector, Rear	--	532 40 08-50	Operator's Manual, Scandinavian
33	532 08 78-77	Selector Knob			
34	532 41 06-00	Axle Arm Assembly, Rear, LH			
35	532 16 67-85	Locknut, Hex 5/16-18			

NOTE: All component dimensions given in U.S. inches. 1 inch = 25.4 mm. **IMPORTANT:** Use only Original Equipment Manufacturer (O.E.M.) replacement parts. Failure to do so could be hazardous, damage your lawn mower and void your warranty.